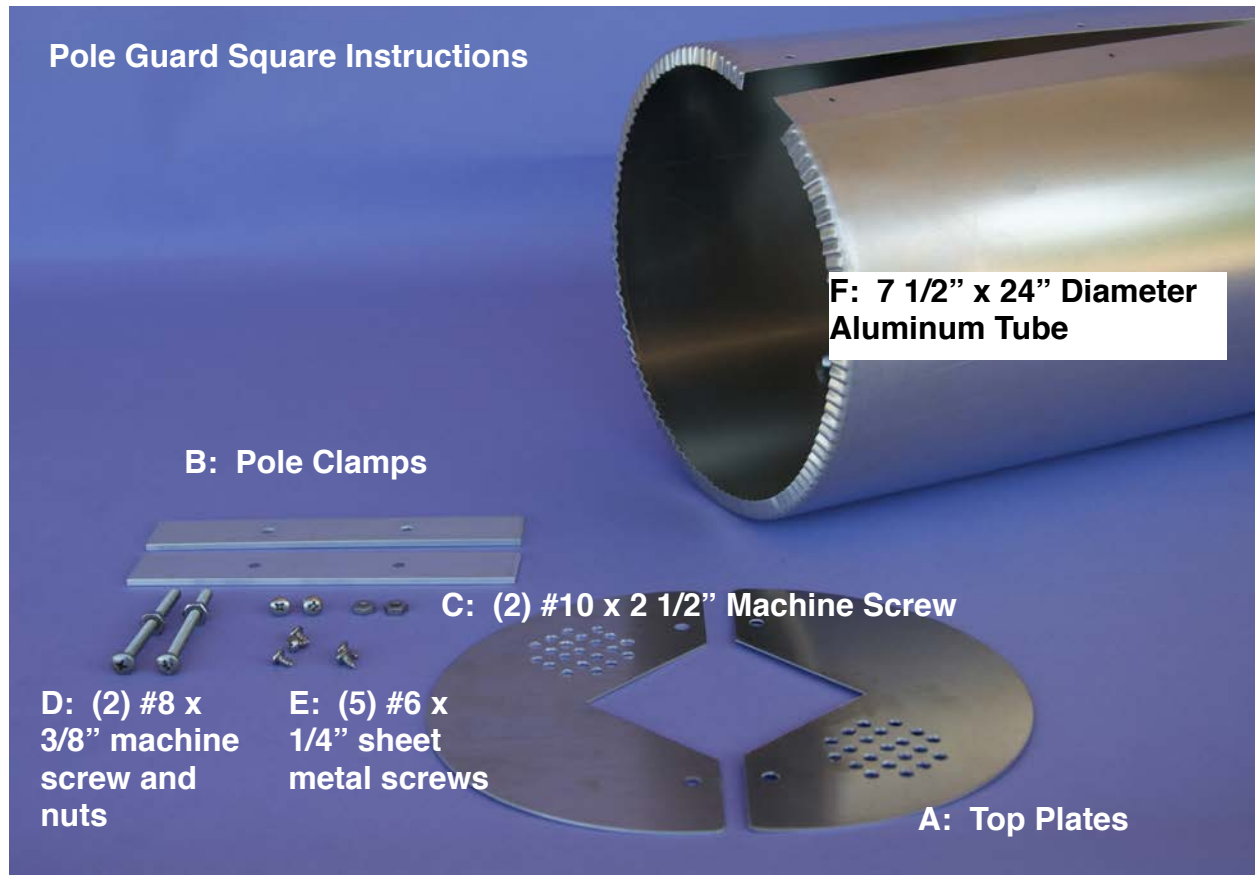


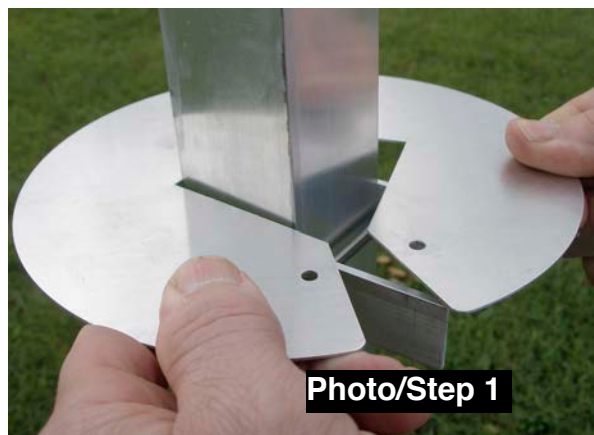
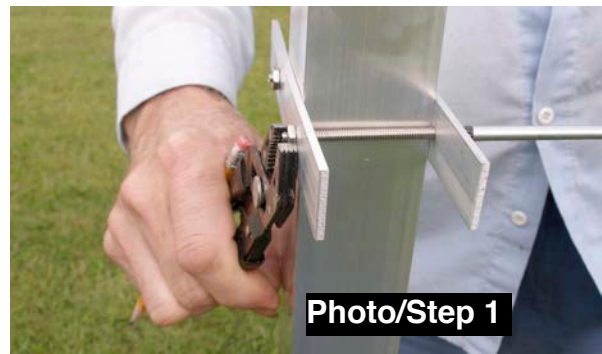
# Troyer's Pole Guard Square(#PGS)



**Step 1) Measure and mark your pole at 48"**

Attach your pole guard clamps (B) using the 2 #10 x 2-1/2" screws and nuts (C). Make sure your clamps are level, and tighten nuts.

Overlap the top plate halves (A) and align the holes. Insert one of the #8 x 3/8" (D) screws and thread nut on but do not tighten. Open the 2 halves (top plates) and bring them around the



# Troyer's Pole Guard Square(#PGS)

pole. Insert the last # 8 x 3/8" screw, thread nut on and tighten both nuts at this time.

**Step 2)** Install your guard tube (F) by opening the tube no greater than the width of pole. ***It is very important to install the tube as directed. Failure to do so could result in a warped tube.***



With the crimped end up, open the tube only wide enough to allow the pole in. Notice in photo 2 that you do this below your installed top plate. Pull the tube upward towards your installed top plates.

Tip your guard around the top plate and let it come down and rest on the plate.

**Step 3)** Installing the #6 x 1/4" sheet metal screws. You will want to install the screws from the top to the bottom. First, to install the top screw hold the guard tube above the top plate. See photo 4. Be sure that you overlap the larger holes above the smaller holes. Insert the sheet metal screw into the hole and tighten. Let the guard slide back over the top plates, you may need to gently wiggle the guard tube in order to achieve this.

**Step 4)** Holding your guard tube at the bottom with one hand align the second hole from the top by adjusting the guard tube from the bottom. Insert your next # 6 sheet metal screw. Repeat these steps till all the screws are inserted. DO NOT over tighten these screws as this can distort your tube. Congratulations! You have installed your pole guard.



Thank you for purchasing this Pole Guard. If you have any questions about the installation of this pole guard, please call us, we are happy to help.